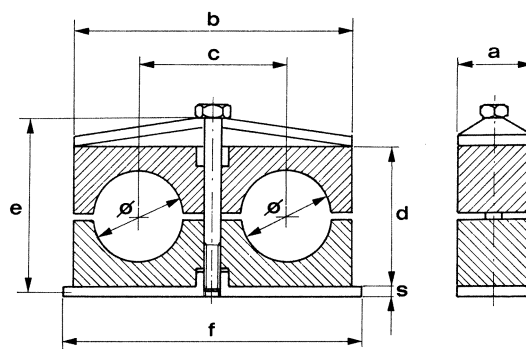


## Collari doppi in polipropilene, poliammide autoestinguente o gomma

## Double clamps in polypropylene, self-extinguishing polyamide or rubber



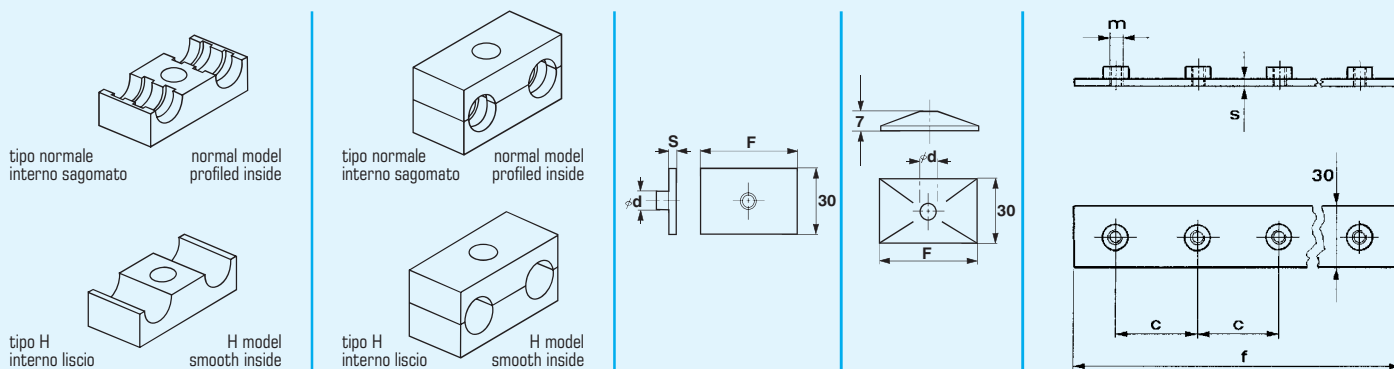
gruppo - group	diametro tubo pipe diameter		tipo di collare clamp type			dimensioni in mm dimension in mm							pezzi per confezione box quantity
	Ø mm	pollici / inches G Ø O.D.	AD polipropilene polypropylene	MD poliammide self-extinguishing	RD gomma rubber	a	b	c	d	f	s	e	
1	6-6		AD <sub>1</sub> 06-06	MD <sub>1</sub> 06-06	RD <sub>1</sub> 06-06	30	37	20	25	37	3	MBx35	50
	6,4-6,4	1/4 - 1/4"	AD <sub>1</sub> 6,4-6,4	MD <sub>1</sub> 6,4-6,4	RD <sub>1</sub> 6,4-6,4								
	8-8	5/16 - 5/16"	AD <sub>1</sub> 08-08	MD <sub>1</sub> 08-08	RD <sub>1</sub> 08-08								
	9,5-9,5	3/8 - 3/8"	AD <sub>1</sub> 9,5-9,5	MD <sub>1</sub> 9,5-9,5	RD <sub>1</sub> 9,5-9,5								
	10-10	1/8 - 1/8"	AD <sub>1</sub> 10-10	MD <sub>1</sub> 10-10	RD <sub>1</sub> 10-10								
	12-12		AD <sub>1</sub> 12-12	MD <sub>1</sub> 12-12	RD <sub>1</sub> 12-12								
2	12,7	1/2 - 1/2"	AD <sub>2</sub> 12,7-12,7	MD <sub>2</sub> 12,7-12,7	RD <sub>2</sub> 12,7-12,7	30	53	29	26	55	5	MBx35	50
	13,5	1/4 - 1/4"	AD <sub>2</sub> 1/4 - 1/4"	MD <sub>2</sub> 1/4 - 1/4"	RD <sub>2</sub> 1/4 - 1/4"								
	14-14		AD <sub>2</sub> 14-14	MD <sub>2</sub> 14-14	RD <sub>2</sub> 14-14								
	15-15		AD <sub>2</sub> 15-15	MD <sub>2</sub> 15-15	RD <sub>2</sub> 15-15								
	16-16	5/8 - 5/8"	AD <sub>2</sub> 16-16	MD <sub>2</sub> 16-16	RD <sub>2</sub> 16-16								
	17,2-17,2	3/8 - 3/8"	AD <sub>2</sub> 3/8 - 3/8"	MD <sub>2</sub> 3/8 - 3/8"	RD <sub>2</sub> 3/8 - 3/8"								
18-18		AD <sub>2</sub> 18-18	MD <sub>2</sub> 18-18	RD <sub>2</sub> 18-18									
3	19-19	3/4 - 3/4"	AD <sub>3</sub> 19-19	MD <sub>3</sub> 19-19	RD <sub>3</sub> 19-19	30	67	36	37	70	5	MBx45	50
	20-20		AD <sub>3</sub> 20-20	MD <sub>3</sub> 20-20	RD <sub>3</sub> 20-20								
	21,3-21,3	1/2 - 1/2"	AD <sub>3</sub> 1/2 - 1/2"	MD <sub>3</sub> 1/2 - 1/2"	RD <sub>3</sub> 1/2 - 1/2"								
	22-22	7/8 - 7/8"	AD <sub>3</sub> 22-22	MD <sub>3</sub> 22-22	RD <sub>3</sub> 22-22								
	25-25		AD <sub>3</sub> 25-25	MD <sub>3</sub> 25-25	RD <sub>3</sub> 25-25								
25,4-25,4	1 - 1"	AD <sub>3</sub> 25,4-25,4	MD <sub>3</sub> 25,4-25,4	RD <sub>3</sub> 25,4-25,4									
4	26,9	3/4 - 3/4"	AD <sub>4</sub> 3/4 - 3/4"	MD <sub>4</sub> 3/4 - 3/4"	RD <sub>4</sub> 3/4 - 3/4"	30	82	45	42	85	5	MBx50	50
	28-28		AD <sub>4</sub> 28-28	MD <sub>4</sub> 28-28	RD <sub>4</sub> 28-28								
	30-30		AD <sub>4</sub> 30-30	MD <sub>4</sub> 30-30	RD <sub>4</sub> 30-30								
5	32-32	1 1/4 - 1 1/4"	AD <sub>5</sub> 32-32	MD <sub>5</sub> 32-32	RD <sub>5</sub> 32-32	30	106	56	54	110	5	MBx60	25
	33,7-33,7	1 - 1"	AD <sub>5</sub> 1 - 1"	MD <sub>5</sub> 1 - 1"	RD <sub>5</sub> 1 - 1"								
	35-35		AD <sub>5</sub> 35-35	MD <sub>5</sub> 35-35	RD <sub>5</sub> 35-35								
	38-38	1 1/2 - 1 1/2"	AD <sub>5</sub> 38-38	MD <sub>5</sub> 38-38	RD <sub>5</sub> 38-38								
	40-40		AD <sub>5</sub> 40-40	MD <sub>5</sub> 40-40	RD <sub>5</sub> 40-40								
	42-42		AD <sub>5</sub> 42-42	MD <sub>5</sub> 42-42	RD <sub>5</sub> 42-42								
42,4-42,4	1 1/4 - 1 1/4"	AD <sub>5</sub> 1 1/4 - 1 1/4"	MD <sub>5</sub> 1 1/4 - 1 1/4"	RD <sub>5</sub> 1 1/4 - 1 1/4"									

AD\*... = polipropilene / polypropylene

MD... = polyamide / self-extinguishing

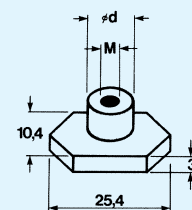
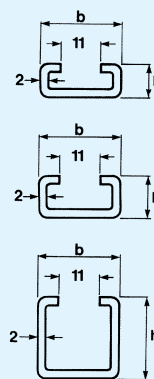
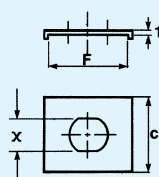
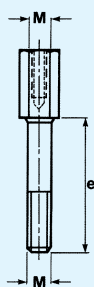
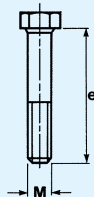
RD... = gomma / rubber

...H = interno liscio / smooth inside (per ordine di collari tipo H, aggiungere H dopo il codice / to order clamps type H, please put the H at the end of the code)



semi-collare clamp-half	coppia collari clamp body (2 halves)	piastra inferiore lower plate			piastra superiore upper plate		piastra inferiore multipla multiple lower plate				
		ADPIN			ADPS		ADPIM				
AD ... S	AD ... C	F mm	Ø d mm	S	F mm	Ø d mm	f mm	c mm	s mm	m	n° collari clamps
AD <sub>1</sub> 06-06 S	AD <sub>1</sub> 06-06 C	ADPIN <sub>1</sub>			ADPS <sub>1</sub>		ADPIM <sub>1</sub>				
AD <sub>1</sub> 6,4-6,4 S	AD <sub>1</sub> 6,4-6,4 C	30	12	3	35	7	200	40	3	M6	5
AD <sub>1</sub> 08-08 S	AD <sub>1</sub> 08-08 C										
AD <sub>1</sub> 9,5-9,5 S	AD <sub>1</sub> 9,5-9,5 C										
AD <sub>1</sub> 10-10 S	AD <sub>1</sub> 10-10 C										
AD <sub>1</sub> 12-12 S	AD <sub>1</sub> 12-12 C										
AD <sub>2</sub> 12,7-12,7 S	AD <sub>2</sub> 12,7-12,7 C										
AD <sub>2</sub> 1/4 - 1/4" S	AD <sub>2</sub> 1/4 - 1/4" C	55	14	5	52	9	290	58	5	M8	5
AD <sub>2</sub> 14-14 S	AD <sub>2</sub> 14-14 C										
AD <sub>2</sub> 15-15 S	AD <sub>2</sub> 15-15 C										
AD <sub>2</sub> 16-16 S	AD <sub>2</sub> 16-16 C										
AD <sub>2</sub> 3/8 - 3/8" S	AD <sub>2</sub> 3/8 - 3/8" C										
AD <sub>2</sub> 18-18 S	AD <sub>2</sub> 18-18 C										
AD <sub>3</sub> 19-19 S	AD <sub>3</sub> 19-19 C	ADPIN <sub>3</sub>			ADPS <sub>3</sub>		ADPIM <sub>3</sub>				
AD <sub>3</sub> 20-20 S	AD <sub>3</sub> 20-20 C	70	14	5	66	9	360	72	5	M8	5
AD <sub>3</sub> 1/2 - 1/2" S	AD <sub>3</sub> 1/2 - 1/2" C										
AD <sub>3</sub> 22-22 S	AD <sub>3</sub> 22-22 C										
AD <sub>3</sub> 25-25 S	AD <sub>3</sub> 25-25 C										
AD <sub>3</sub> 25,4-25,4 S	AD <sub>3</sub> 25,4-25,4 C										
AD <sub>4</sub> 3/4 - 3/4" S	AD <sub>4</sub> 3/4 - 3/4" C										
AD <sub>4</sub> 28-28 S	AD <sub>4</sub> 28-28 C	85	14	5	81	9	450	90	5	M8	5
AD <sub>4</sub> 30-30 S	AD <sub>4</sub> 30-30 C										
AD <sub>5</sub> 32-32 S	AD <sub>5</sub> 32-32 C										
AD <sub>5</sub> 1 - 1" S	AD <sub>5</sub> 1 - 1" C	110	14	5	105	9	560	112	5	M8	5
AD <sub>5</sub> 35-35 S	AD <sub>5</sub> 35-35 C										
AD <sub>5</sub> 38-38 S	AD <sub>5</sub> 38-38 C										
AD <sub>5</sub> 40-40 S	AD <sub>5</sub> 40-40 C										
AD <sub>5</sub> 42-42 S	AD <sub>5</sub> 42-42 C										
AD <sub>5</sub> 1 1/4 - 1 1/4" S	AD <sub>5</sub> 1 1/4 - 1 1/4" C										

\* La produzione standard è di colore verde, colore nero su richiesta.  
Standard production in green, black color on request.



vite a testa esagonale high hexagonal head screw		vite a testa esagonale allungata high hexagonal head screw		piastra superiore di sicurezza security upper plate			binari portanti spessore 2 mm rail		dado esagonale fissaggio binari hexagonal nut			
<b>ADVTE</b>		<b>ADVTEA</b>		<b>APMRSD</b>			<b>ABINS</b>		<b>ADES</b>			
M	e mm	M	e mm	F mm	c mm	X mm	b mm	h mm	M	Ø d mm		
<b>ADVTE<sub>1</sub></b>		<b>ADVTEA<sub>1</sub></b>		<b>APMRSD<sub>1</sub></b>			<b>ABINS-1</b>		<b>ADES</b>			
M6	35	M6	20	30	30	11			M6	12		
<b>ADVTE<sub>2</sub></b>		<b>ADVTEA<sub>2</sub></b>		<b>APMRSD<sub>2-5</sub></b>			<b>ABINS-2</b>		<b>ADES<sub>D</sub></b>			
M8	35	M8	20	30	30	13					28	11
<b>ADVTE<sub>3</sub></b>		<b>ADVTEA<sub>3</sub></b>		<b>APMRSD<sub>2-5</sub></b>			<b>ABINS-3</b>				<b>ADES<sub>D</sub></b>	
M8	45	M8	29	30	30	13						
<b>ADVTE<sub>4</sub></b>		<b>ADVTEA<sub>4</sub></b>		<b>APMRSD<sub>2-5</sub></b>			<b>ABINS-3</b>					
M8	50	M8	34	30	30	13			28	30		
<b>ADVTE<sub>5</sub></b>		<b>ADVTEA<sub>5</sub></b>		<b>APMRSD<sub>2-5</sub></b>			<b>ABINS-3</b>		<b>ADES<sub>D</sub></b>			
M8	60	M8	47	30	30	13					28	30